



REPAIR PARTS

GDH 80% Modified Two Stage Dedicated Downflow Gas Furnace

GDH80403ANBC
GDH80403ANBD
GDH80403AXBC
GDH80403AXBD
GDH80603ANBC
GDH80603ANBD
GDH80603AXBC
GDH80603AXBD
GDH80804BNBC
GDH80804BNBD
GDH80804BXBC
GDH80804BXBD
GDH81005CNBC
GDH81005CXBC



This manual is to be used by qualified technicians only.

This manual replaces RP-G2304A.

© 2016 - 2018 Goodman Manufacturing Company, L.P. ♦ 5151 San Felipe St, Suite 500 ♦ Houston, TX 77056

Important Information

Index

Functional Parts List	3
Illustration and Parts	4 - 9

Views shown are for parts illustrations only, not servicing procedures.

Text Codes:

AR - As Required

NA - Not Available

NS - Not Shown

00000000 - See Note

QTY - Quantity Example (QTY 3) (If Quantity not shown, Quantity = 1)

M - Model Example (M1) (If M Code not shown, then part is used on all Models)

Expanded Model Nomenclature:

Example
M1 - Model#1
M2 - Model#2
M3 - Model#3

Goodman Manufacturing Company, L.P. is not responsible for personal injury or property damage resulting from improper service. Review all service information before beginning repairs.

Warranty service must be performed by an authorized technician, using authorized factory parts. If service is required after the warranty expires, Goodman Manufacturing Company, L.P. also recommends contacting an authorized technician and using authorized factory parts.

Goodman Manufacturing Company, L.P. reserves the right to discontinue, or change at any time, specifications or designs without notice or without incurring obligations.

For assistance within the U.S.A. contact:

Homeowner Support

Goodman Manufacturing Company, L.P.

19001 Kermier Road

Waller, Texas 77484

877-254-4729-Telephone

713-863-2382-Facsimile

For assistance outside the U.S.A. contact:

International Division

Goodman Manufacturing Company, L.P.

19001 Kermier Road

Waller, Texas 77484

713-861-2500-Telephone

713-863-2382-Facsimile

Functional Parts

Part

No: Description:

0130F00042	AIR PRESSURE SWITCH (M13, M14)
B1370142	AIR PRESSURE SWITCH, ORANGE (M1, M2, M3, M4, M5, M6, M7, M8, M9, M10, M11, M12)
0130F00038	AUX LIMIT - LT BLUE 120°
CAP200000370CP	CAP, 20 MFD/370V/ RD (M1, M2, M3, M4, M5, M6, M7, M8, M9, M10, M11, M12)
CAP250000370CP	CAP, 25 MFD/370V/ RD (M13, M14)
0130F00010	FLAME SENSOR
0151M00027	GAS VALVE (M2, M4, M6, M8, M10, M12, M13, M14)
0130F00008	IGNITOR-SINI 17 SEC
20162901	LIMIT-RED (M13, M14)
10123529	MANUAL RESET R.O.S. LIMIT
0131F00042	MOTOR, 1/2HP, 4SP, 6PL (M9, M10, M11, M12)
0131F00041	MOTOR, 1/3HP, 4SP, 6PL (M1, M2, M3, M4, M5, M6, M7, M8)
0131M00002P	MOTOR, VENT 80+
20046618	MOTOR-BLOW 3/4 HP (M13, M14)
PCBBF132	PCB 2STAGE HYBRID FURNACE CNTL
0130F00036	PRIMARY LIMIT - PINK 180° (M1, M2, M3, M4, M5, M6, M7, M8, M9, M10, M11, M12)
10690402	SWITCH-INTERLOCK
0130M00139	TRANSFORMER 120V TO 24V, 40 VA
0151M00028	VALVE,GAS(HW)VR92 (M1, M3, M5, M7, M9, M11)
DY6.186.070	VENT MOTOR CAPACITOR

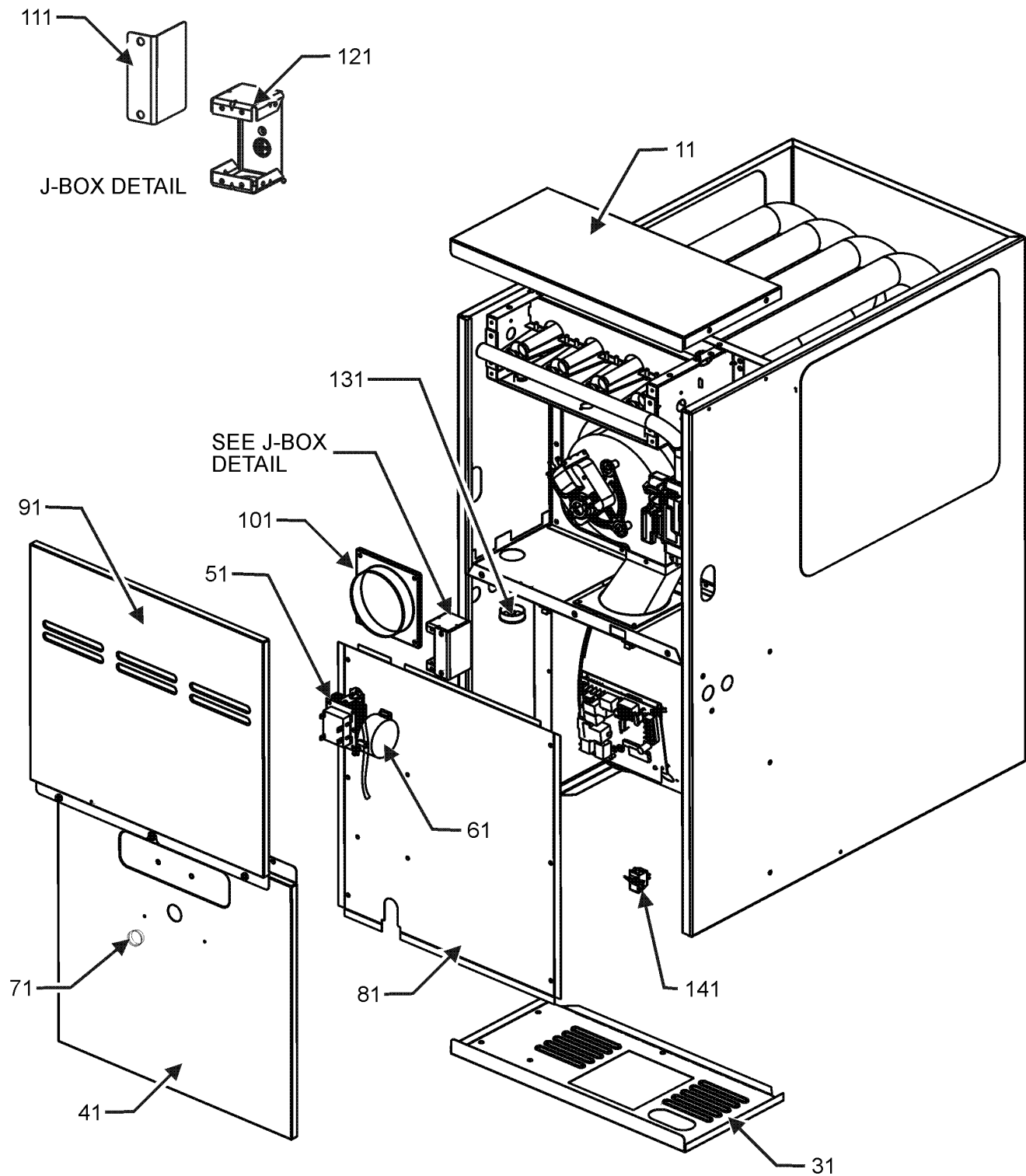
SPECIAL PARTS

0161F00007 GOODMAN NAMEPLATE

Expanded Model Nomenclature

M1 - GDH80403ANBC
M2 - GDH80403ANBD
M3 - GDH80403AXBC
M4 - GDH80403AXBD
M5 - GDH80603ANBC
M6 - GDH80603ANBD
M7 - GDH80603AXBC
M8 - GDH80603AXBD
M9 - GDH80804BNBC
M10 - GDH80804BNBD
M11 - GDH80804BXBC
M12 - GDH80804BXBD
M13 - GDH81005CNBC
M14 - GDH81005CXBC

Cabinet Assembly



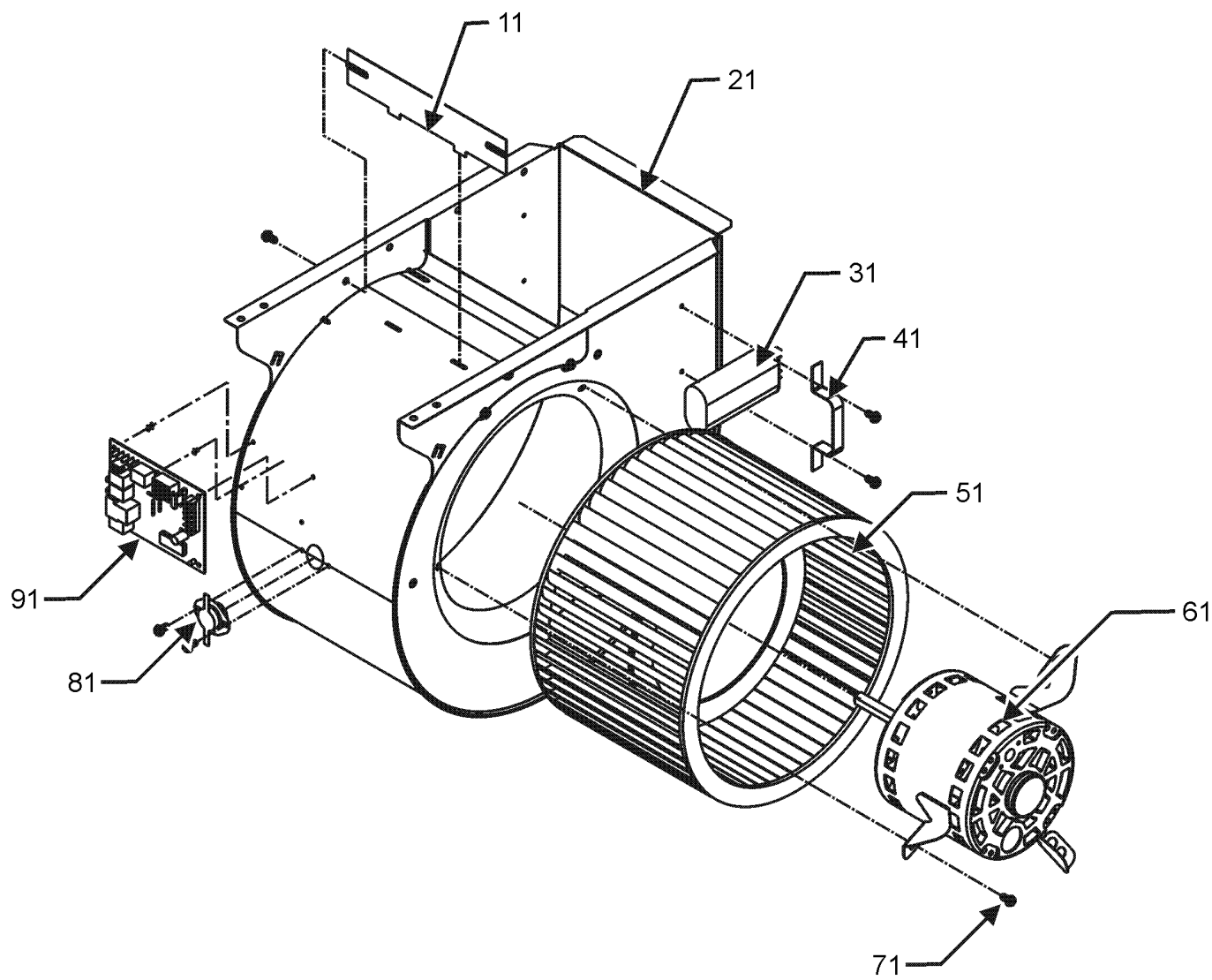
Cabinet Assembly

Ref. Part No:	Ref. Part No:	Description:	Description:
Image 1:			
11	0121F00183DG	PAINTED 14" FURNACE BOTTOM (M1, M2, M3, M4, M5, M6, M7, M8)	
11	0121F00190DG	PAINTED 17.5" FURNACE BOTTOM (M9, M10, M11, M12)	
11	0121F00191DG	PAINTED 21" FURNACE BOTTOM (M13, M14)	
31	0121F00141DG	TOP, FURNACE 14"-PAINTED (M1, M2, M3, M4, M5, M6, M7, M8)	
31	0121F00142DG	TOP, FURNACE 17.5"-PAINTED (M9, M10, M11, M12)	
31	0121F00143DG	TOP, FURNACE 21"-PAINTED (M13, M14)	
41	0121F00122DG	DOOR, BLOWER, 14"-PAINTED (M1, M2, M3, M4, M5, M6, M7, M8)	
41	0121F00123DG	DOOR, BLOWER, 17.5"-PAINTED (M9, M10, M11, M12)	
41	0121F00124DG	DOOR, BLOWER, 21"-PAINTED (M13, M14)	
51	0130M00139	TRANSFORMER 120V TO 24V, 40 VA	
61	0130F00042	AIR PRESSURE SWITCH (M13, M14)	
61	B1370142	AIR PRESSURE SWITCH, ORANGE (M1, M2, M3, M4, M5, M6, M7, M8, M9, M10, M11, M12)	
71	B1392139	VIEW PORT BUSHING-BLOWER DOOR	
81	0121F00185	DOOR, INNER 14" (M1, M2, M3, M4, M5, M6, M7, M8)	
81	0121F00192	DOOR, INNER 17.5" (M9, M10, M11, M12)	
81	0121F00193	DOOR, INNER 21" (M13, M14)	
91	0121F00118DG	DOOR CTRL ACCESS, 14"-PAINTED (M1, M2, M3, M4, M5, M6, M7, M8)	
91	0121F00120DG	DOOR CTRL ACCESS, 21"-PAINTED (M13, M14)	
91	0121F00119DG	DOOR CTRL ACCESS, 17.5"-PAINTED (M9, M10, M11, M12)	
101	4023500	CHIMNEY TRANSITION TOP	
111	4015502	J-BOX COVER	
121	4014502	J-BOX	
131	0163F00001	UNIVERSAL BUSHING WITH SLICE	
141	10690402	SWITCH-INTERLOCK	
NS	0161F00007	GOODMAN NAMEPLATE	

Expanded Model Nomenclature

M1 - GDH80403ANBC
M2 - GDH80403ANBD
M3 - GDH80403AXBC
M4 - GDH80403AXBD
M5 - GDH80603ANBC
M6 - GDH80603ANBD
M7 - GDH80603AXBC
M8 - GDH80603AXBD
M9 - GDH80804BNBC
M10 - GDH80804BNBD
M11 - GDH80804BXBC
M12 - GDH80804BXBD
M13 - GDH81005CNBC
M14 - GDH81005CXBC

Blower Assembly



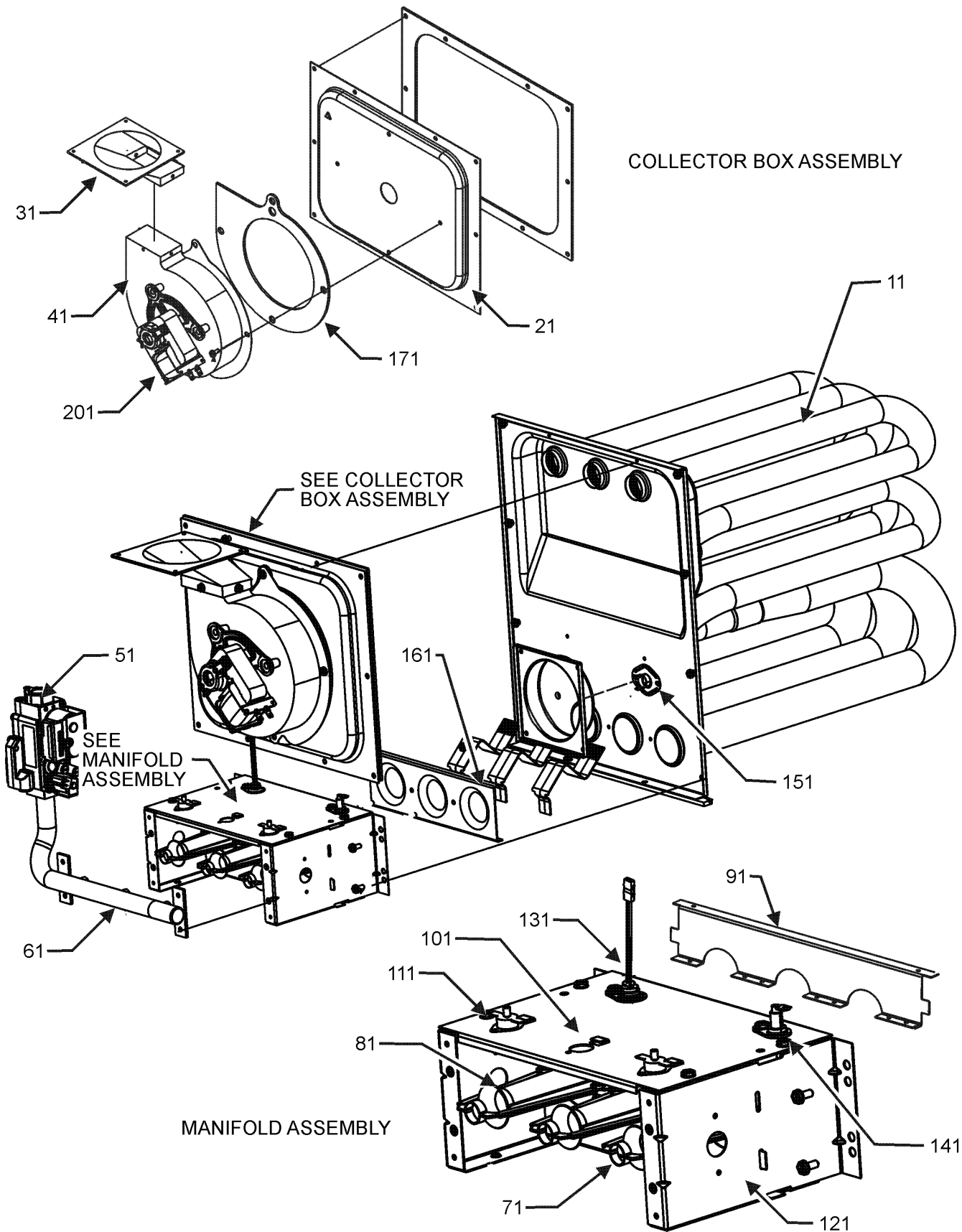
Blower Assembly

Ref. Part No:	No:	Description:	Ref. Part No:	No:	Description:
<i>Image 1:</i>					
11	764741	BLWR BLK-OFF,10X10 (M13, M14)			
11	764739	BLWR BLK-OFF,10X6 (M1, M2, M3, M4, M5, M6, M7, M8)			
11	764740	BLWR BLK-OFF,10X8 (M9, M10, M11, M12)			
21	2539307	BLWR SHL ASM 10X10 10X10 (M13, M14)			
21	2539305	BLWR SHL ASM 10X6 10X6 (M1, M2, M3, M4, M5, M6, M7, M8)			
21	2539306	BLWR SHL ASM 10X8 10X8 (M9, M10, M11, M12)			
31	CAP200000370CP	CAP, 20 MFD/370V/ RD (M1, M2, M3, M4, M5, M6, M7, M8, M9, M10, M11, M12)			
31	CAP250000370CP	CAP, 25 MFD/370V/ RD (M13, M14)			
41	1284835	CAPACITOR STRAP			
51	B1368047	BLOWER WHEEL (10 X 10) (M13, M14)			
51	B1368034	BLOWER WHEEL (10 X 6) (M1, M2, M3, M4, M5, M6, M7, M8)			
51	0150M00043	WHEEL, BLOWER (10 X 8) (M9, M10, M11, M12)			
61	0131F00042	MOTOR, 1/2HP, 4SP, 6PL (M9, M10, M11, M12)			
61	0131F00041	MOTOR, 1/3HP, 4SP, 6PL (M1, M2, M3, M4, M5, M6, M7, M8)			
61	20046618	MOTOR-BLOW 3/4 HP (M13, M14)			
71	M0250558	TC SCREW (QTY 3)			
81	0130F00038	AUX LIMIT - LT BLUE 120°			
91	PCBBF132	PCB 2STAGE HYBRID FURNACE CNTL			

Expanded Model Nomenclature

M1 - GDH80403ANBC
M2 - GDH80403ANBD
M3 - GDH80403AXBC
M4 - GDH80403AXBD
M5 - GDH80603ANBC
M6 - GDH80603ANBD
M7 - GDH80603AXBC
M8 - GDH80603AXBD
M9 - GDH80804BNBC
M10 - GDH80804BNBD
M11 - GDH80804BXBC
M12 - GDH80804BXBD
M13 - GDH81005CNBC
M14 - GDH81005CXBC

Heat Exchange Assembly



Heat Exchange Assembly

Ref. Part No:	No:	Description:	Ref. Part No:	No:	Description:
<i>Image 1:</i>			Expanded Model Nomenclature		
11	0270F03525	HEAT EXCHANGER ASSY (M1, M2, M3, M4)	M1	-	GDH80403ANBC
11	0270F03526	HEAT EXCHANGER ASSY (M5, M6, M7, M8)	M2	-	GDH80403ANBD
11	0270F03527	HEAT EXCHANGER ASSY (M9, M10, M11, M12)	M3	-	GDH80403AXBC
11	0270F03528	HEAT EXCHANGER ASSY (M13, M14)	M4	-	GDH80403AXBD
21	0121F00327	14" COLLECTOR BOX 1.125" DIA (M1, M2, M3, M4)	M5	-	GDH80603ANBC
21	0121F00364	14" FLUE COLLECTOR BOX 1.5"DIA (M5, M6, M7, M8)	M6	-	GDH80603ANBD
21	0121F00334	21" COLLECTOR BOX 1.625" DIA (M13, M14)	M7	-	GDH80603AXBC
21	0121F00128	COLLECTOR BOX 17.5" 1.75 DIA (M9, M10, M11, M12)	M8	-	GDH80603AXBD
31	0128F00006	CHIMNEY TRANSITION BOTTOM	M9	-	GDH80804BNBC
41	0131M00002P	MOTOR, VENT 80+	M10	-	GDH80804BNBD
51	0151M00027	GAS VALVE (M2, M4, M6, M8, M10, M12, M13, M14)	M11	-	GDH80804BXBC
51	0151M00028	VALVE,GAS(HW)VR92 (M1, M3, M5, M7, M9, M11)	M12	-	GDH80804BXBD
61	0120F00006	MANIFOLD (M1, M2, M3, M4)	M13	-	GDH81005CNBC
61	0120F00007	MANIFOLD (M5, M6, M7, M8)	M14	-	GDH81005CXBC
61	0120F00008	MANIFOLD (M9, M10, M11, M12)			
61	0120F00009	MANIFOLD (M13, M14)			
71	10716005	ORIFICE, #45 DRILL (QTY 2)			
81	B4022700	INSHOT BURNER ASSY 3" (QTY 2)			
91	0121F00167	BURNER RACK, 2 CELL (M1, M2, M3, M4)			
91	0121F00168	BURNER RACK, 3 CELL (M5, M6, M7, M8)			
91	0121F00169	BURNER RACK, 4 CELL (M9, M10, M11, M12)			
91	0121F00170	BURNER RACK, 5 CELL (M13, M14)			
101	0121F00162	TOP, BURNER BOX 2 CELL (M1, M2, M3, M4)			
101	0121F00163	TOP, BURNER BOX 3 CELL (M5, M6, M7, M8)			
101	0121F00164	TOP, BURNER BOX 4 CELL (M9, M10, M11, M12)			
101	0121F00165	TOP, BURNER BOX 5 CELL (M13, M14)			
111	10123529	MANUAL RESET R.O.S. LIMIT			
121	0121F00146	SIDE PLATE-BURNER BOX (QTY 2)			
131	0130F00010	FLAME SENSOR			
141	0130F00008	IGNITOR-SINI 17 SEC			
151	20162901	LIMIT-RED (M13, M14)			
151	0130F00036	PRIMARY LIMIT - PINK 180° (M1, M2, M3, M4, M5, M6, M7, M8, M9, M10, M11, M12)			
161	4028000	ORIFICE PLATE, 2CELL (M1, M2, M3, M4)			
161	4028001	ORIFICE PLATE, 3CELL (M5, M6, M7, M8)			
161	4028002	ORIFICE PLATE, 4CELL (M9, M10, M11, M12)			
161	4028003	ORIFICE PLATE, 5CELL (M13, M14)			
171	0154F00003	GASKET-14 INCH (M1, M2, M3, M4, M5, M6, M7, M8)			
171	0154F00004	GASKET-17.5 INCH (M9, M10, M11, M12)			
171	0154F00005	GASKET-21 INCH (M13, M14)			
201	DY6.186.070	VENT MOTOR CAPACITOR			
NS	0259M00005	ADAPTER HARNESS			
NS	0259F00060	HYBRID WIRE KIT			
NS	0259F00074	WIRE HARNESS ASSY (M1, M3, M5, M7, M9, M11)			
NS	0259F00273	WIRE HARNESS ASSY (M2, M4, M6, M8, M10, M12, M13, M14)			
NS	0159F00059	WIRE HARNESS ASSY. , IGNITOR			